



2023 Product Catalogue RETAIL



Address : 355 MacDonnell Road, Clontarf Q 4019
Phone : (07) 2103 5805
Email : nathan@traaustralia.com.au
ABN : 98 072 971 923

CONTENTS

New Products 2023 - Page 3-8
Seekr Fans by Caframo - Page 9-13
Caravan & RV Steps - Page 14-18
Caravan & RV Ladders - Page 19-22
RV Hatches & Skylights - Page 22-25
External Picnic Tables - Page 26
LED Awning Lights - Page 27-28
TV Brackets & Mounts - Page 29-30
Ventilation Fans - Page 30
Annex Matting - Page 31
Awning End Wall & Screens - Page 32-36
Levelling Ramps - Page 37-39
Grab Handles - Page 39
Accessories & Other - Page 40



NEW PRODUCTS

BLACK ALUMINIUM STEPS

TRA  **Australia**



Black Single Manual Step

Part # TRA-SM545-BLACK

Drop Height to first tread - 150mm

Overall Drop Height - 185mm

Overall Height when closed - 147mm

Step Width – 545mm

Mounting Hole Centres - 528mm

200kg Load Rating

Weight - 5.5kg

Steel & Aluminium Construction

Illuminating step ends

Ribbed anti-slip tread

UPDATED PICTURES
TO COME



Black Single LED Light Step

Part # TRA-SM545LED-BLACK

Exactly the same specs as TRA-SM545-BLACK plus

Dual Blue 12 volt LED tread lights + single white

LED light underneath for ground visibility and safety



Black Double Manual Step

Part # TRA-DM545-BLACK

Drop Height to first tread – 160mm

Drop Height to second tread – 290mm

Overall Drop Height – 320mm

Overall Height when closed – 260mm

Step Width – 545mm

Mounting Hole Centres – 528mm

200kg Load Rating

Weight – 8.5kg

Steel & Aluminium Construction

Illuminating step ends

Ribbed anti-slip tread



Black Double LED Light Step

Part # TRA-DM545LED-BLACK

Exactly the same specs as TRA-DM545-BLACK plus

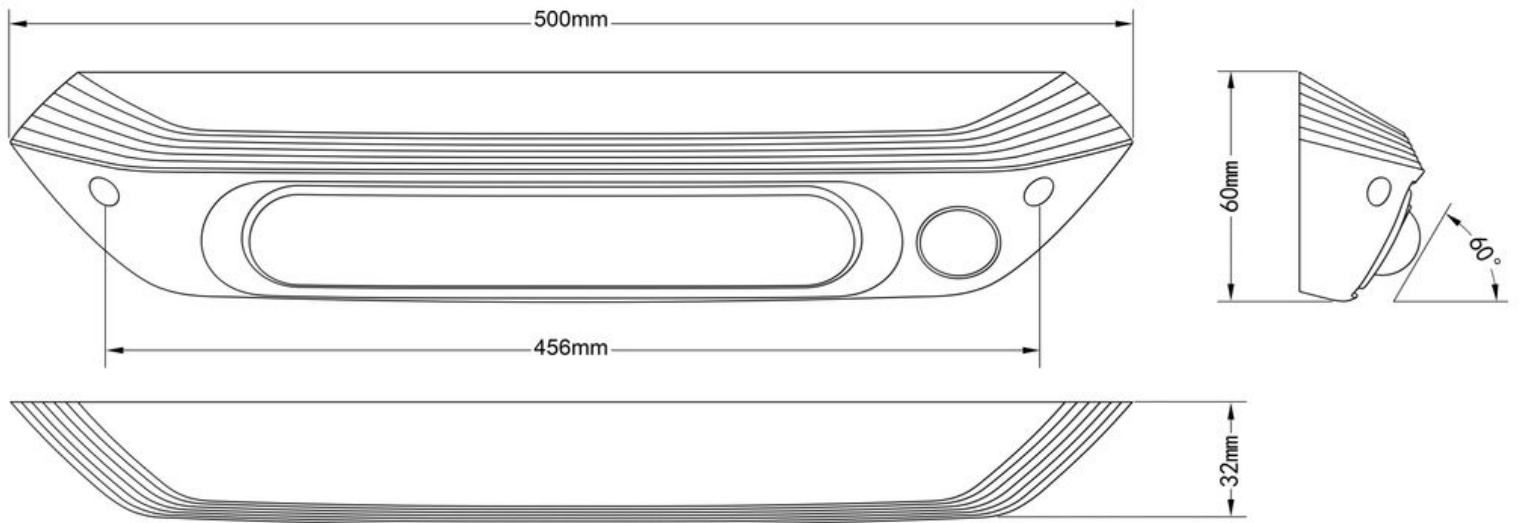
Dual Blue 12 volt LED tread lights + single white LED

light underneath for ground visibility and safety.



NEW PRODUCTS

500MM LED BUG LIGHTS



NO SWITCH

BLACK NO SWITCH

Part # TRA-LEDAW500B

WHITE NO SWITCH

Part # TRA-LEDAW500W

12-28 VOLT

White – 36 LEDs

Amber – 36 LEDs

15W Total / 2400 Lumens

ABS Housing with PC Lense

IP67 Waterproof

Built in switch

Measures 500x60x32mm

WITH SWITCH

BLACK WITH SWITCH

Part # TRA-LEDAW500B-SWITCH

WHITE WITH SWITCH

Part # TRA-LEDAW500W-SWITCH

DIMMABLE 287MM LED BUG LIGHT



Same specs as the 287mm LED bug lights.

Operation via touch switch!
Long press (2 seconds) will change LEDs colour.

A quick press will adjust the brightness of the colour in use

BLACK

Part # TRA-LEDAW287B-DIM

WHITE

Part # TRA-LEDAW287W-DIM

Brightness levels
30% / 70% / 100%

NEW PRODUCTS

123MM LED BUG LIGHT

TRA Australia



BLACK
Part # **TRA-LEDAW123B**
WHITE
Part # **TRA-LEDAW123W**

12-28 VOLT
White – 12 LEDs
Amber – 12 LEDs
8W Total / 800 Lumens
ABS Housing with PC Lense
IP67 Waterproof
Built in switch
Measures 123x37x70mm

TARP & MATTING CLIPS (4 PACK)

Made from Heavy duty reinforced nylon
Size - 83x28x37mm

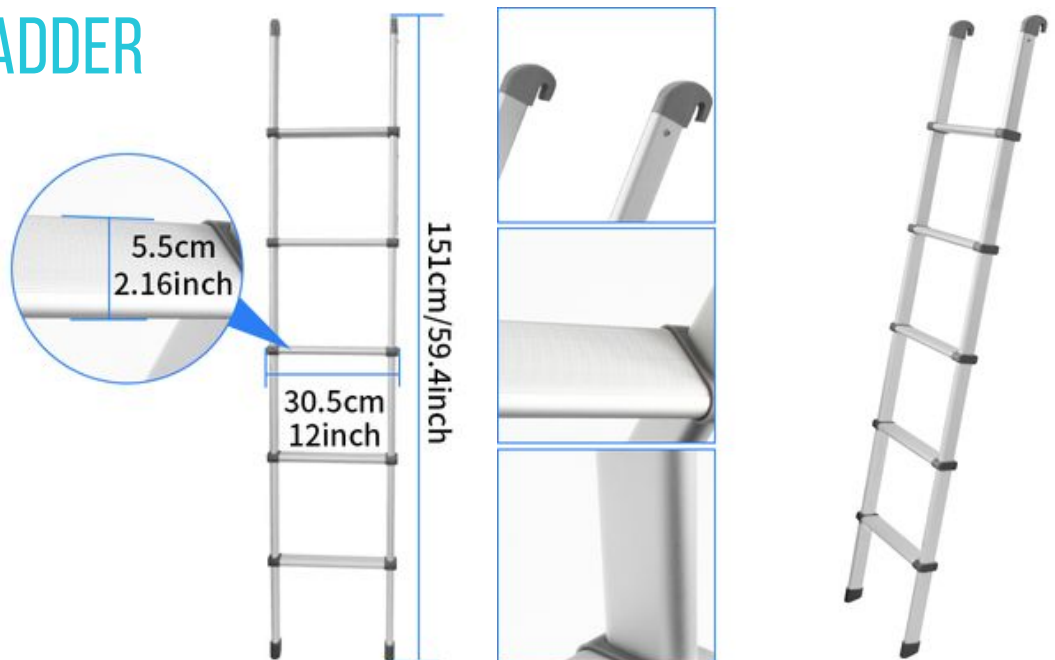
Part # **TRA-TMC**



5 STEP INTERNAL LADDER

Part # **TRA-LS5-BUNK**

Size: 1530x307x59mm
Weight: 2.60kgs
Max load: 150kgs



LED LIGHT GARNISH

12 volt - 36 LEDs
Low power consumption
Push button switch

Outside measurements 406mm
Inside measurements 336mm

Part # **TRA-RVM-LEDLIGHT**

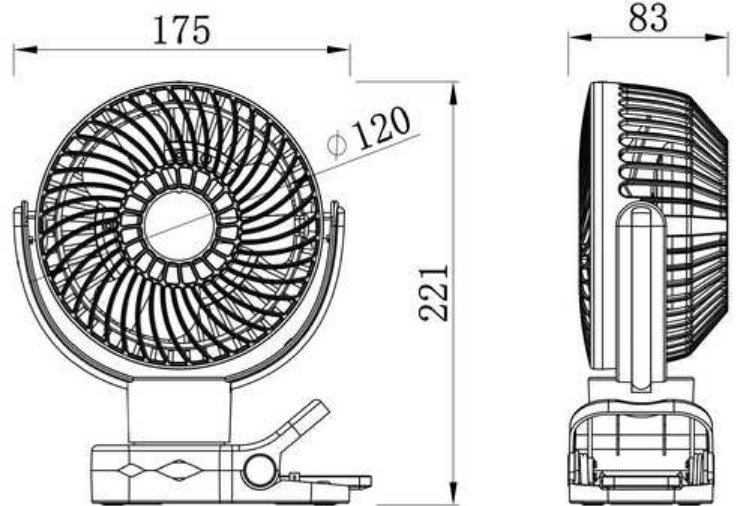


SUITS RVM & RVE MODELS ONLY

Mounting holes centres
380mm squared

NEW PRODUCTS

PORTABLE CAMPING FANS

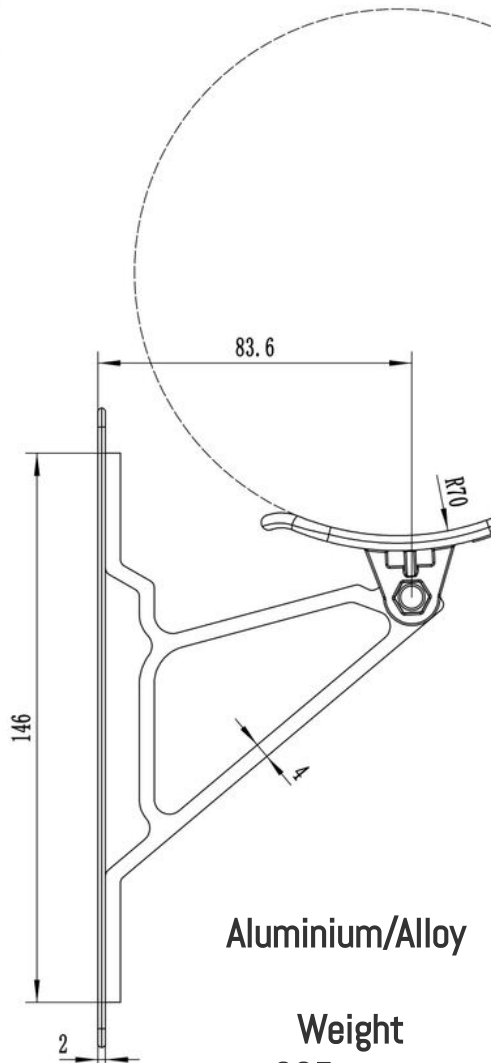
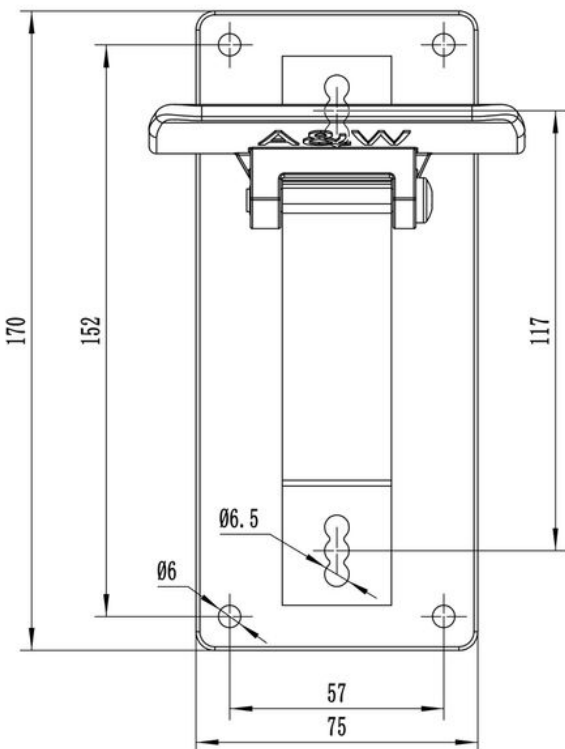


BLACK
Part # TRA-PCF-BLACK
WHITE
Part # TRA-PCF-WHITE

Portable oscillating 4 speed fan with remote control
 Warm LED light with 2 brightness settings + timer function
 USB powered - Comes with 3m USB cord, 1m USB cord + a dual USB
 Cigarette lighter plug
 Various mounting options - Magnet base, hanging hook, clip function
 5 volt / 2 amps

AWNING SUPPORT CRADLE

BLACK
Part # TRA-ASC-BLACK
WHITE
Part # TRA-ASC-WHITE



Aluminium/Alloy

Weight
 305grams



NEW PRODUCTS

HOSE BAG SET



RV Hose & Cord Bags - Set of 3

Part # TRA-HB-3

40cm Bag diameter

Convenient carry handle

Draw string centre

Breathable top mesh

3 bags per set with tag

- Water - Sullage - Lead -

AUSTRALIAN MAPS

UV RATED DIGITABLE VINYL

All stickers are printed on UV rated digital vinyl
Measurements - 46cm wide x 38cm high

Yellow

Part # TRA-MAP1



Multi Coloured

Part # TRA-MAP2



Green

Part # TRA-MAP3



PORCH/TUNNEL BOOT LIGHTS

12 VOLT

PORCH/TUNNEL BOOT LIGHT WITH SWITCH

Part # TRA-TBLS-BLACK

Part # TRA-TBLS-WHITE

12 Volt

15.1cm x 8.7cm

18 Individual LEDs

Clear lens with white LED 4200k

Power draw - 0.36amp

220lm

IP64 weather resistant



WATERPROOF SPEAKERS

LOW PROFILE



6.5 INCH WATERPROOF LOW-PROFILE SPEAKER (PAIR)

Part # TRA-WPS-BLACK

Part # TRA-WPS-WHITE

Injection cone with rubber edge

Moulded ABS Plactic

Max power 60 watt per speaker

Outer diameter is 186mm and overall speaker depth is 40mm

Cut out dimension is 135mm with a mounting depth of 23.5mm

WATERPROOF SPEAKERS

WITH LED LIGHTS



6.5 INCH LED WATERPROOF LOW-PROFILE SPEAKER (PAIR)

Part # TRA-WPSLED-BLACK

Part # TRA-WPSLED-WHITE

Injection cone with rubber edge

LED LIGHTS

Moulded ABS Plactic

Max power 60 watt per speaker

Outer diameter is 186mm and overall speaker depth is 40mm

Cut out dimension is 135mm with a mounting depth of 23.5mm

SHOWER ROOF HATCH

TO SUIT 280X280MM CUT OUT

SHOWER HATCH WITH LED LIGHTS

Part # TRA-SRV280LED

Reverse airflow, 2 speeds in, 3 speeds out

12 Volt - 750RPM

Fits 280x280 cut out

Suits roof thickness 50-80mm

Lid sits 100mm above roof level

Motor 14W/1.2Amps

LED Light 8W/0.8Amps

Manual Lift Tinted Lid





SEEKR 
BY *Caframo*®




**REAL
COOL**
Australia's Favourite RV Fan
SIROCCO II FANS ARE PROUDLY MADE IN CANADA 🇨🇦



Sirocco II - White

Part # TRA-7010CA-WBX

12/24 Volt Auto-sensing capability

Three Speeds

Four preset timer settings (3/6/9 or 12 hours)

Complete 360° directional airflow

Ultra quiet long-life motor with low power draw

Made in Canada / 2 Year Warranty

RMC & EMC compliant



Sirocco II - Black

Part # TRA-7010CA-BBX

12/24 Volt Auto-sensing capability

Three Speeds

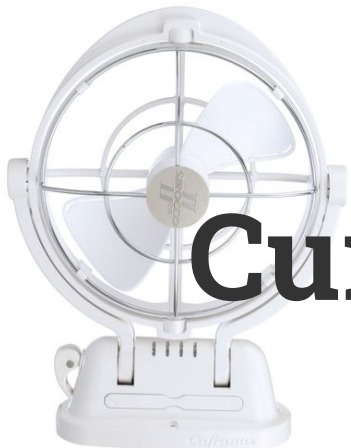
Four preset timer settings (3/6/9 or 12 hours)

Complete 360° directional airflow

Ultra quiet long-life motor with low power draw

Made in Canada / 2 Year Warranty

RMC & EMC compliant



Sirocco ELITE - White

Part # TRA-7012CA-WBX

4-year warranty

Greater than 30% increase in airflow on all speed settings

4 Speed with 12/24 Volt Auto-sensing capability

Four preset timer settings (3/6/9 or 12 hours)

Complete 360° directional airflow

Ultra quiet long-life brushless motor with low power draw

RMC & EMC compliant

Currently Unavailable



Sirocco ELITE - Black

Part # TRA-7012CA-BBX

4-year warranty

Greater than 30% increase in airflow on all speed settings

4 Speed with 12/24 Volt Auto-sensing capability

Four preset timer settings (3/6/9 or 12 hours)

Complete 360° directional airflow

Ultra quiet long-life brushless motor with low power draw

RMC & EMC compliant

Currently Unavailable



Bora 748 - White

Part # TRA-748CA-WBX

- 12 volt
- 3-speed touch control
- Long-life 5000+ motor
- Fully guarded on front and back
- Low power draw
- Maximum airflow with minimum noise
- Mounts sideways upright or downwards



Bora 748 - Black

Part # TRA-748CA-BBX

- 12 volt
- 3-speed touch control
- Long-life 5000+ motor
- Fully guarded on front and back
- Low power draw
- Maximum airflow with minimum noise
- Mounts sideways upright or downwards



Maestro 7482 - White

Part # TRA-7482CA-BBX

- 12 volt
- Variable fan speed for ideal sleeping environment
- Up to 130 CFM cooling comfort
- Dual LED area lighting and night vision red
- Locate wired remote pendant control up to 6' from fan
- Protective front/back grill
- Low power draw



Maestro 7482 - Black

Part # TRA-7482CA-BBX

- 12 volt
- Variable fan speed for ideal sleeping environment
- Up to 130 CFM cooling comfort
- Dual LED area lighting and night vision red
- Locate wired remote pendant control up to 6' from fan
- Protective front/back grill
- Low power draw



Ultimate 747 - White

Part # TRA-747CA-WBX

12 volt with Lighter plug attachment
Two speeds
Two mounting options (permanent or removable suction cup)
Long life; low power drawing motor
Adjustable tilting head
Quiet dependable operation
Direct air in any direction



Ultimate 747 - Black

Part # TRA-747CA-BBX

12 volt with Lighter plug attachment
Two speeds
Two mounting options (permanent or removable suction cup)
Long life; low power drawing motor
Adjustable tilting head
Quiet dependable operation
Direct air in any direction



Ultimate 757 - White

Part # TRA-757CA-BBX

12 volt - Hardwire Version
Two speeds
Two mounting options (permanent or removable suction cup)
Long life; low power drawing motor
Adjustable tilting head
Quiet dependable operation
Direct air in any direction



Ultimate 757 - Black

Part # TRA-757CA-BBX

12 volt - Hardwire Version
Two speeds
Two mounting options (permanent or removable suction cup)
Long life; low power drawing motor
Adjustable tilting head
Quiet dependable operation
Direct air in any direction



Ultimate 747 & 757 Clamp Accessory

Part # TRA-747CL

Ultimate Clamp Accessory
to suit Caframo Ultimate 747 & 757 fans
Mounts to bench tops, tables, tent poles etc



Kona 817 - White

Part # TRA-817CA-WBX

12 volt
Supplied with light plug
Waterproof IP55 - Can be left in the rain or
withstand boat spray
Corrosion resistant
Fully guarded on front and back
Low power draw
3 Speed motor



Kona 817 - Black

Part # TRA-817CA-BBX

12 volt
Supplied with light plug
Waterproof IP55 - Can be left in the rain or withstand boat
spray
Corrosion resistant
Fully guarded on front and back
Low power draw
3 Speed motor



CARAVAN & RV STEPS

ALUMINIUM STEPS



Single Manual Step

Part # TRA-SM545

Drop Height to first tread - 150mm

Overall Drop Height - 185mm

Overall Height when closed - 147mm

Step Width – 545mm

Mounting Hole Centres - 528mm

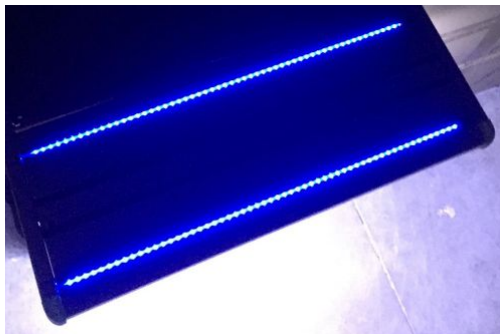
200kg Load Rating

Weight - 5.5kg

Steel & Aluminium Construction

Illuminating step ends

Ribbed anti-slip tread



Single Manual LED Light Step

Part # TRA-SM545LED

Exactly the same specs as TRA-SM545 plus

Dual Blue 12 volt LED tread lights + single white

LED light underneath for ground visibility and safety



XL Single Manual Step - Black

Part # TRA-SMS1825

Extra deep platform 250mm

Drop Height to first tread - 180mm

Overall Drop Height - 215mm

Overall Height when closed - 170mm

Step Width – 545mm

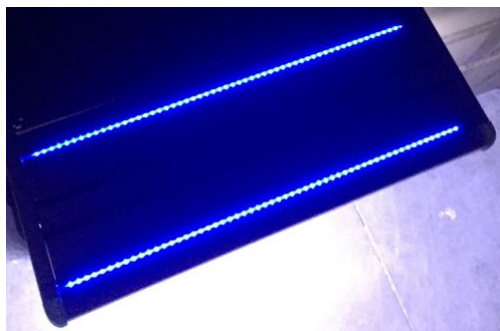
Mounting Hole Centres - 528mm

250kg Load Rating

Weight - 6kg

Steel & Aluminium Construction

Illuminating step ends & ribbed anti-slip tread



XL Single Manual LED Light Step - Black

Part # TRA-SMS1825-LED

Exactly the same specs as TRA-SMS1825 plus

Dual Blue 12 volt LED tread lights + single white

LED light underneath for ground visibility and safety



ALUMINIUM STEPS



Double Manual Step

Part # VAN-STEPSDM545

Drop Height to first tread – 160mm
Drop Height to second tread – 290mm
Overall Drop Height – 320mm
Overall Height when closed – 260mm
Step Width – 545mm
Mounting Hole Centres – 528mm
200kg Load Rating
Weight – 8.5kg
Steel & Aluminium Construction
Illuminating step ends
Ribbed anti-slip tread



Double Manual LED Light Step

Part # TRA-DM545-LED

Drop Height to first tread – 160mm
Drop Height to second tread – 290mm
Overall Drop Height – 320mm
Overall Height when closed – 260mm
Step Width – 545mm
Mounting Hole Centres – 528mm
200kg Load Rating / Weight - 8.5kg
Steel & Aluminium Construction
Illuminating step ends & ribbed anti-slip tread
Dual Blue 12 volt LED tread lights + white LED light underneath each tread for ground visibility and safety



CARAVAN & RV STEPS

STEEL STEPS



Single Manual Galvanised Step

Part # VAN-STP530G

Drop Height to first tread – 150mm
Overall Height when closed – 180mm
Tread Dimensions – 520mm x 180mm Deep
Overall Dimensions - 530mm x 290mm x 180mm H
Load Rating – 300kg
Steel Construction
Bolt or Weld on
Checker plate style anti-slip tread
Galvanised

Single Manual Black Step

Part # VAN-STP530B

Drop Height to first tread – 150mm

Overall Height when closed – 180mm

Tread Dimensions – 520mm x 180mm Deep

Overall Dimensions - 530mm x 290mm x 180mm H

Load Rating – 300kg

Steel Construction

Bolt or Weld on

Checker plate style anti-slip tread

Powder Coated Black



CARAVAN & RV STEPS

PORTABLE STEPS

Folding Step

Part # VAN-FS4830

Non-Slip grip tape top surface

Pin locking mechanism keeps legs safely in place

Rubber feet to protect annexe flooring

Size: 480mm x 300mm Top x 220mm High

200kg Weight Rating

Ideal single caravan step to make entry easier

Approx weight 3kg

Folded for storage dimensions 480 x 300 x 70mm

Aluminium & steel construction



Illuminating Folding Step

Part # VAN-FS4830L

Illuminating tread (6-8 Hours / requires sunlight to charge)

Non-Slip grip tape top surface

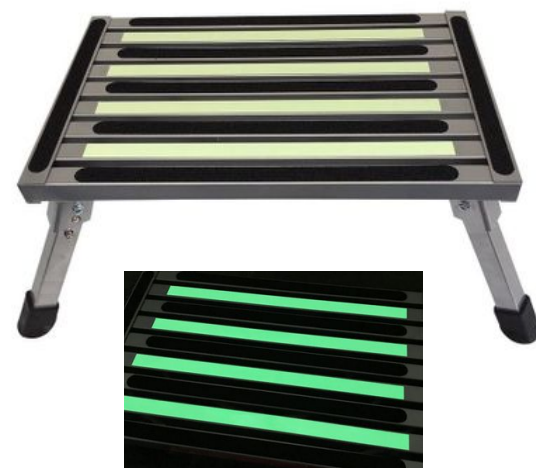
Pin locking mechanism keeps legs safely in place

Rubber feet to protect annexe flooring

Size: 480mm x 300mm Top x 220mm High

200kg Weight Rating / Weight 3kg

Folded for storage dimensions 480 x 300 x 70mm



PORTABLE STEPS



Black Illuminating Folding Step

Part # TRA-FS4830L-BLACK

Illuminating tread (6-8 Hours / requires sunlight to charge)

Non-Slip grip tape top surface

Pin locking mechanism keeps legs safely in place

Rubber feet to protect annexe flooring

Size: 480mm x 300mm Top x 220mm High

200kg Weight Rating / Weight 3kg

Folded for storage dimensions 480 x 300 x 70mm



Illuminating Adjustable Step

Part # TRA-FS4830AH-L

Adjustable legs/height (190, 200, 215 & 230mm)

Illuminating tread (6-8 Hours / requires sunlight to charge)

Non-Slip grip tape top surface

Pin locking mechanism keeps legs safely in place

Rubber feet to protect annexe flooring

Size: 480mm x 300mm Top x 220mm High

200kg Weight Rating / Weight 3kg

Folded for storage dimensions 480 x 300 x 70mm



Black Illuminating Adjustable Step

Part # TRA-FS4830AH-BLACK

Adjustable legs/height (190, 200, 215 & 230mm)

Illuminating tread (6-8 Hours / requires sunlight to charge)

Non-Slip grip tape top surface

Pin locking mechanism keeps legs safely in place

Rubber feet to protect annexe flooring

Size: 480mm x 300mm Top x 220mm High

200kg Weight Rating / Weight 3kg

Folded for storage dimensions 480 x 300 x 70mm



XL Illuminating Folding Step

Part # TRA-FS6237L

Illuminating tread (6-8 Hours / requires sunlight to charge)

Non-Slip grip tape top surface

Pin locking mechanism keeps legs safely in place

Rubber feet to protect annexe flooring

Size: 620mm x 370mm Top x 230mm High

200kg Weight Rating / Weight 4.5kg

Folded for storage dimensions 620 x 370 x 70mm

PORTABLE STEPS



XL Adjustable Height Folding Step

Part # TRA-FS6237AH

Adjustable legs/height (190, 200, 215 & 230mm)

Non-Slip grip tape top surface

Pin locking mechanism keeps legs safely in place

Rubber feet to protect annexe flooring

Size: 620mm x 370mm Top x 230mm High

200kg Weight Rating / Weight 4.5kg

Folded for storage dimensions 620 x 370 x 70mm



Double Folding Step

Part # VAN-LD3623-2

Step heights: 235mm (Bottom) & 470mm (Top)

Step tread: 360mm x 230mm

Open dimensions: 570mm x 480mm x 470mm H

Closed dimensions (folded): 820mm x 480mm x 75mm

Rated to hold up to 200kg

Weight: 6kg

Strong aluminium frame with Anti slip tread



Triple Folding Step

Part # TRA-TL680

Step height: 235mm & 455mm & 685mm (Top)

Step tread: 360mm x 230mm

Closed dimensions (folded): 1145mm x 545mm x 105mm

Rated to hold up to 200kg

Weight: 9.5kg

Strong aluminium frame

Anti slip tread

Folding utility railing

TRA  **Australia**

PHONE (07) 2103 5805

EMAIL - NATHAN@TRAAUSTRALIA.COM.AU

CARAVAN ~ RV ~ LEISURE

CARAVAN & RV LADDERS

COLLAPSIBLE BOX LADDERS



3 Step Ladder

Part # TRA-BL3S

3 Rungs

Black Carry Bag

Aluminium construction

Closed dimensions – 124cm x 13cm x 9cm

Open dimensions – 45cm x 103cm x 111cm H

Top rung - 86cm

150kg load rating

Weight 5kg



4 Step Ladder

Part # TRA-BL4S

4 Rungs

Black Carry Bag

Aluminium construction

Closed dimensions – 153cm x 13cm x 9cm

Open dimensions – 45cm x 118cm x 141cm H

Top rung - 114cm

150kg load rating

Weight 6kg



5 Step Ladder

Part # TRA-BL5S

5 Rungs

Black Carry Bag

Aluminium construction

Closed dimensions – 184cm x 13cm x 9cm

Open dimensions – 45cm x 133cm x 171cm H

Top rung - 141cm

150kg load rating

Weight 5kg

CARAVAN & RV LADDERS

TELESCOPIC LADDERS



2.0m Telescopic Ladder

Part # TRA-TL2.0M

6 Rungs (30cm intervals)

Soft closing feature & Black Carry Bag

Aluminium construction

Extends to 200cm / Compacts to 70cm

Closed dimensions – 70cm x 49cm x 9cm

150kg load rating

Weight 6kg

Rubber ribbed feet & velcro storage straps



2.6m Telescopic Ladder

Part # TRA-TL2.6M

8 Rungs (30cm intervals)

Soft closing feature & Black Carry Bag

Aluminium construction

Extends to 260cm / Compacts to 77cm

Closed dimensions – 77cm x 49cm x 9cm

150kg load rating

Weight 8kg

Rubber ribbed feet & velcro storage straps



2.6m Black Telescopic Ladder

Part # TRA-TL2.6M-BLACK

8 Rungs (30cm intervals)

Soft closing feature & Black Carry Bag

Aluminium construction

Extends to 260cm / Compacts to 77cm

Closed dimensions – 77cm x 49cm x 9cm

150kg load rating

Weight 8kg

Rubber ribbed feet & velcro storage straps

CARAVAN & RV LADDERS

TELESCOPIC LADDERS



3.2m Telescopic Ladder

Part # TRA-TL3.2M

10 Rungs (30cm intervals)

Soft closing feature & Black Carry Bag

Aluminium construction

Extends to 320cm / Compacts to 83cm

Closed dimensions – 83cm x 49cm x 9cm

150kg load rating

Weight 10kg

Rubber ribbed feet & velcro storage straps



3.2m Black Telescopic Ladder

Part # TRA-TL3.2M-BLACK

10 Rungs (30cm intervals)

Soft closing feature & Black Carry Bag

Aluminium construction

Extends to 320cm / Compacts to 83cm

Closed dimensions – 83cm x 49cm x 9cm

150kg load rating

Weight 10kg

Rubber ribbed feet & velcro storage straps



3.8m Telescopic Ladder

Part # TRA-TL3.8M

12 Rungs (30cm intervals)

Soft closing feature & Black Carry Bag

Aluminium construction

Extends to 380cm / Compacts to 89cm

Closed dimensions – 89cm x 49cm x 9cm

150kg load rating

Weight 12kg

Rubber ribbed feet & velcro storage straps

CARAVAN & RV LADDERS

TELESCOPIC LADDERS



3.8m Black Telescopic Ladder

Part # **TRA-TL3.8M-BLACK**

12 Rungs (30cm intervals)

Soft closing feature & Black Carry Bag

Aluminium construction

Extends to 380cm / Compacts to 89cm

Closed dimensions – 89cm x 49cm x 9cm

150kg load rating

Weight 12kg

Rubber ribbed feet & velcro storage straps

RV HATCHES & SKYLIGHTS

ROOF HATCHES/VENTS



White Shower Roof Vent

Part # **TRA-SRV14-WHITE**

12 volt

White lid

Cut out hole 355x355mm (14inch)

Suits roof thickness up to 55mm

Sits 8cm above roof line when lid is closed

Upper roof flange 419x419mm

Inner ceiling flange 405x405mm

Manual lift lid with push button switch

Built in fly/insect screen (not removeable)



Smoked Shower Roof Vent

Part # **TRA-SRV14-SMOKED**

12 volt

Smoked lid

Cut out hole 355x355mm (14inch)

Suits roof thickness up to 55mm

Sits 8cm above roof line when lid is closed

Upper roof flange 419x419mm

Inner ceiling flange 405x405mm

Manual lift lid with push button switch

Built in fly/insect screen (not removeable)

RV HATCHES & SKYLIGHTS

ROOF HATCHES/VENTS



White LED Shower Roof Hatch

Part # TRA-RVM280-WHITE

12 volt

White lid

Cut out hole 280x280mm

Suits roof thickness 25-60mm

Sits 95mm above roof line when lid is closed

Overall size 364x372mm

LED light surround on internal garnish

Manual lift lid with 1 speed reverse airflow

Built in fly/insect screen (not removeable)



Smoked LED Shower Roof Hatch

Part # TRA-RVM280-SMOKED

12 volt

Smoked lid

Cut out hole 280x280mm

Suits roof thickness 25-60mm

Sits 95mm above roof line when lid is closed

Overall size 364x372mm

LED light surround on internal garnish

Manual lift lid with 1 speed reverse airflow

Built in fly/insect screen (not removeable)



Manual Roof Hatch

Part # TRA-RVM5000

12 volt / 18w / 2amps on high speed

Smoked lid

Cut out hole 355x355mm (14inch)

Suits roof thickness up to 40-140mm

Sits 11cm above roof line when lid is closed

Manual lift lid

Reversible airflow

Built in fly/insect screen (removeable)

RV HATCHES & SKYLIGHTS

ROOF HATCHES/VENTS



Air/Rain Manual Roof Hatch

Part # TRA-RVM5000-AIR

12 volt / 18w / 2amps on high speed
Smoked lid
Operates with the lid closed at 20% airflow
Cut out hole 355x355mm (14inch)
Suits roof thickness up to 40-140mm
Sits 14cm above roof line when lid is closed
Full Electric operation with remote
Rain sensor
Reversible airflow
Built in fly/insect screen (removeable)



Electric Rain Sensing Roof Hatch

Part # TRA-RVE6000

12 volt / 18w / 2amps on high speed
Smoked lid
Cut out hole 355x355mm (14inch)
Suits roof thickness up to 40-140mm
Sits 11cm above roof line when lid is closed
Full Electric operation with remote
Rain sensor
Reversible airflow
Built in fly/insect screen (removeable)



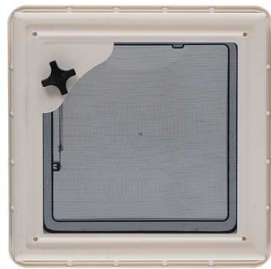
Air/Rain Electric Rain Sensing Roof Hatch

Part # TRA-RVE6000-AIR

12 volt / 18w / 2amps on high speed
Smoked lid
Operates with the lid closed at 20% airflow
Cut out hole 355x355mm (14inch)
Suits roof thickness up to 40-140mm
Sits 14cm above roof line when lid is closed
Full Electric operation with remote
Rain sensor
Reversible airflow
Built in fly/insect screen (removeable)

RV HATCHES & SKYLIGHTS

SKYLIGHTS



Roof Vent Skylight

Part # TRA-RVM-SKYLIGHT

Cut out hole 400x400mm

Overall size 460x460mm

Smoked PC lid with anti-uv

Suits roof thickness 25-55mm

Sits 95mm above roof line when lid is closed

Manual lift lid

Built in fly/insect screen (not removeable)



Large RV Skylight

Part # TRA-RSL500

Cut out hole 500x500mm

Overall size 574x574mm

Opens to two positions (35 & 70 degrees)

Double glazed smoked dome lid

Suits roof thickness up to 25-60mm

Sits 95cm above roof line when lid is closed

12 volt LED light surround

Built in fly/insect screen & block out blind



Extra Large RV Skylight

Part # TRA-RSL700

Cut out hole 700x500mm

Overall size 774x574mm

Opens to two positions (35 & 70 degrees)

Double glazed smoked dome lid

Suits roof thickness up to 25-60mm

Sits 95cm above roof line when lid is closed

12 volt LED light surround

Built in fly/insect screen & block out blind



***** Please note that both RSL skylights require a cut out with 70 degree radius corners and will not retro fit into a square cut out *****

EXTERNAL PICNIC TABLES

SURFACE MOUNT



650mm White External Table

Part # TRA-PT650W

Dual 12 volt LED lights with switch
USB charging port
Dual spring loaded locks (2 keys supplied)
Stainless steel table board
Surface mount
25kg weight rating
650x445x22mm / 5kgs



650mm Black External Table

Part # TRA-PT650B

Dual 12 volt LED lights with switch
USB charging port
Dual spring loaded locks (2 keys supplied)
Stainless steel table board
Surface mount
25kg weight rating
650x445x22mm / 5kgs



800mm White External Table

Part # TRA-PT800W

Dual 12 volt LED lights with switch
USB charging port
Dual spring loaded locks (2 keys supplied)
Stainless steel table board
Surface mount
25kg weight rating
800x445x22mm / 6kgs



800mm Black External Table

Part # TRA-PT800B

Dual 12 volt LED lights with switch
USB charging port
Dual spring loaded locks (2 keys supplied)
Stainless steel table board
Surface mount
25kg weight rating
800x445x22mm / 6kgs

LED AWNING LIGHTS

COOL DAYLIGHT

231mm White

Part # TRA-LED231W

12 Volt
500 lumen
4.5w
9 LEDs
Ip67 Waterproof
231x30x19mm



231mm Black

Part # TRA-LED231B

12 Volt
500 lumen
4.5w
9 LEDs
Ip67 Waterproof
231x30x19mm



480mm White

Part # TRA-LED480W

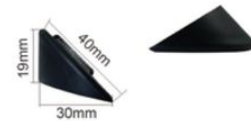
12 Volt
900 lumen
9w
18 LEDs
Ip67 Waterproof
480x30x19mm



480mm Black

Part # TRA-LED480B

12 Volt
900 lumen
9w
18 LEDs
Ip67 Waterproof
480x30x19mm



LED AWNING LIGHTS

DUAL LED LIGHTS - AMBER & WHITE

White Dual Led Awning Light - No Switch

Part # **TRA-LEDAW287W**

12-28 VOLT

White – 12 LEDs = 1W

Amber – 12 LEDs = 0.5W

8W Total / 800 Lumens

ABS Housing with PC Lense

IP67 Waterproof

No Switch - Needs to be fitted to a 3 way switch



Black Dual Led Awning Light - No Switch

Part # **TRA-LEDAW287B**

12-28 VOLT

White – 12 LEDs = 1W

Amber – 12 LEDs = 0.5W

8W Total / 800 Lumens

ABS Housing with PC Lense

IP67 Waterproof

No Switch - Needs to be fitted to a 3 way switch



White Dual Led Awning Light - With Switch

Part # **TRA-LEDAW287W-SWITCH**

12-28 VOLT

White – 12 LEDs = 1W

Amber – 12 LEDs = 0.5W

8W Total / 800 Lumens

ABS Housing with PC Lense

IP67 Waterproof

Built in switch



Black Dual Led Awning Light - With Switch

Part # **TRA-LEDAW287B-SWITCH**

12-28 VOLT

White – 12 LEDs = 1W

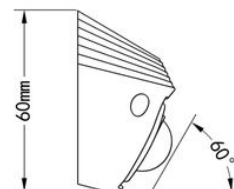
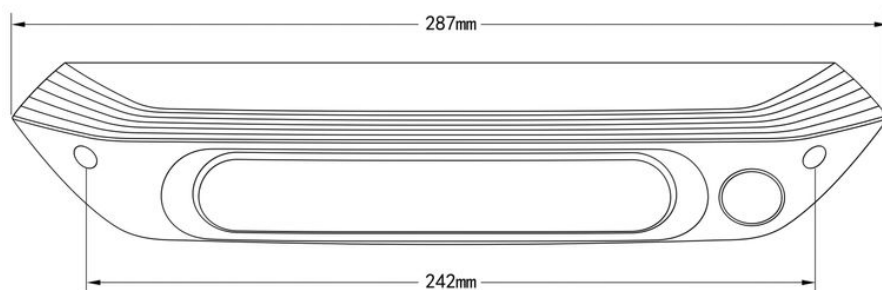
Amber – 12 LEDs = 0.5W

8W Total / 800 Lumens

ABS Housing with PC Lense

IP67 Waterproof

Built in switch



TV BRACKETS & MOUNTS

TV BRACKETS



Single Arm

Part # TRA-TVB01

Adjustable 1 arm wall mount bracket

255mm max arm extension

15kg load rating

Supplied with two mounting brackets

Integrated level indicators

Exclusive locking system to secure TV during transit

VESA 75x75 and 100x100mm compatible



Double Arm

Part # TRA-TVB02

Adjustable 2 arm wall mount bracket

400mm max arm extension

15kg load rating

Supplied with two mounting brackets

Integrated level indicators

Exclusive locking system to secure TV during transit

VESA 75x75 and 100x100mm compatible



Triple Arm

Part # TRA-TVB03

Adjustable 3 arm wall mount bracket

545mm max arm extension

15kg load rating

Supplied with two mounting brackets

Integrated level indicators

Exclusive locking system to secure TV during transit

VESA 75x75 and 100x100mm compatible



Roof Mount

Part # TRA-TVB-ROOF

Ceiling mount suitable for 17-40inch TVs

45 degree swivel

20kg load rating

Flexible sliding rails for adjusting screen height

Adjusts from 265mm-400mm

VESA 75x75, 100x100, 200x100, 200x200mm compatible

TV BRACKETS & MOUNTS

TV MOUNTS / ACCESSORIES



Wall Mount

Part # TRA-TVB-MOUNT

Wall mounting bracket only

Compatible with all TRA wall mount brackets

May be universal with other brands

Width at the top is 58mm

Width at the bottom is 48mm

Length of the slot is 125mm



TV Mount

Part # TRA-TVB-HEAD

TV mounting head only

Compatible with all TRA wall mount brackets

May be universal with other brands

VESA 75x75 and 100x100mm compatible

No hardware supplied (Head only)

VENTILATION FANS

HARD WIRED

80mm Brushless Cooling Fan

Part # VAN-VF80

Air volume 0.97 M3/min

90mm Brushless Cooling Fan

Part # VAN-VF90

Air volume 0.97 M3/min



SOLAR POWERED



2.5w Stainless Steel

Part # TRA-SV3-SS

Air volume 97 CFM

2.5w solar panel with tempered glass

Brushless DC motor, powerful + long lifespan

UV resistant ABS housing

Requires direct sunlight to operate - No switch or battery

Cut out size - 122mm / Overall size - 220mm

2 year warranty

ANNEX MATTING

600GSM HEAVY DUTY

Key Features

Made from PCV foam mesh

Breathable - Grass will not die off quickly

Ideal for campsites with grassed areas

Water & Dirt just falls/sweep through

Non-slip for added safety

UV Treated. Mould & Mildew Resistant

Environmentally friendly

Carry Bag included



3 Metre Annex Matting

Part # TRA-AM-3M-GREEN

Part # TRA-AM-3M-BLUE

Part # TRA-AM-3M-GREY

4 Metre Annex Matting

Part # TRA-AM-4M-GREEN

Part # TRA-AM-4M-BLUE

Part # TRA-AM-4M-GREY

5 Metre Annex Matting

Part # TRA-AM-5M-GREEN

Part # TRA-AM-5M-BLUE

Part # TRA-AM-5M-GREY

6 Metre Annex Matting

Part # TRA-AM-6M-GREEN

Part # TRA-AM-6M-BLUE

Part # TRA-AM-6M-GREY

7 Metre Annex Matting

Part # TRA-AM-7M-GREEN

Part # TRA-AM-7M-BLUE

Part # TRA-AM-7M-GREY



AWNING PRIVACY SCREENS

CARAVAN END WALL



Caravan End Wall

Part # TRA-PSE-CARAVAN

2.1m wide x 2.3/1.9m drop (Angle cut)
95% Shade rating / 200 GSM Material
Heavy duty D rings plus Eyelets on re-enforced tabs
6mm rope spline that will not kink over time
5 Velcro straps
Silver/Grey in colour
Hemmed edging all around
UV Protection + additional privacy
Includes carry bag, guy ropes & zinc plated steel pegs
3 year warranty



Pop Top End Wall

Part # TRA-PSE-POPTOP

2.1m wide x 1.9m drop (Square cut)
95% Shade rating / 200 GSM Material
Heavy duty D rings plus Eyelets on re-enforced tabs
5 Velcro straps
Silver/Grey in colour
Hemmed edging all around
UV Protection + additional privacy
Includes carry bag, guy ropes & zinc plated steel pegs
3 year warranty

AWNING PRIVACY SCREENS

LONG WALLS WITH 6MM SPLINE



2.8m Privacy Screen to suit 10ft awning

Part # TRA-PSC2800

2.8m wide x 1.8m Drop
95% Shade rating / 200 GSM Material
Heavy duty D rings & Eyelets
6mm rope spline that will not kink over time
Silver/Grey in colour
UV Protection + additional privacy
Includes carry bag, guy ropes & zinc plated steel pegs
3 year warranty

LONG WALLS WITH 6MM SPLINE



3.11m Privacy Screen to suit 11ft awning

Part # TRA-PSC3110

3.11m wide x 1.8m Drop

95% Shade rating / 200 GSM Material

Heavy duty D rings & Eyelets

6mm rope spline that will not kink over time

Silver/Grey in colour

UV Protection + additional privacy

Includes carry bag, guy ropes & zinc plated steel pegs

3 year warranty



3.35m Privacy Screen to suit 12ft awning

Part # TRA-PSC3350

3.35m wide x 1.8m Drop

95% Shade rating / 200 GSM Material

Heavy duty D rings & Eyelets

6mm rope spline that will not kink over time

Silver/Grey in colour

UV Protection + additional privacy

Includes carry bag, guy ropes & zinc plated steel pegs

3 year warranty



3.66m Privacy Screen to suit 13ft awning

Part # TRA-PSC3660

3.66m wide x 1.8m Drop

95% Shade rating / 200 GSM Material

Heavy duty D rings & Eyelets

6mm rope spline that will not kink over time

Silver/Grey in colour

UV Protection + additional privacy

Includes carry bag, guy ropes & zinc plated steel pegs

3 year warranty



3.96m Privacy Screen to suit 14ft awning

Part # TRA-PSC3960

3.96m wide x 1.8m Drop

95% Shade rating / 200 GSM Material

Heavy duty D rings & Eyelets

6mm rope spline that will not kink over time

Silver/Grey in colour

UV Protection + additional privacy

Includes carry bag, guy ropes & zinc plated steel pegs

3 year warranty

LONG WALLS WITH 6MM SPLINE



4.27m Privacy Screen to suit 15ft awning

Part # TRA-PSC4270

4.27m wide x 1.8m Drop

95% Shade rating / 200 GSM Material

Heavy duty D rings & Eyelets

6mm rope spline that will not kink over time

Silver/Grey in colour

UV Protection + additional privacy

Includes carry bag, guy ropes & zinc plated steel pegs

3 year warranty



4.57m Privacy Screen to suit 16ft awning

Part # TRA-PSC4570

4.57m wide x 1.8m Drop

95% Shade rating / 200 GSM Material

Heavy duty D rings & Eyelets

6mm rope spline that will not kink over time

Silver/Grey in colour

UV Protection + additional privacy

Includes carry bag, guy ropes & zinc plated steel pegs

3 year warranty



4.87m Privacy Screen to suit 17ft awning

Part # TRA-PSC4870

4.87m wide x 1.8m Drop

95% Shade rating / 200 GSM Material

Heavy duty D rings & Eyelets

6mm rope spline that will not kink over time

Silver/Grey in colour

UV Protection + additional privacy

Includes carry bag, guy ropes & zinc plated steel pegs

3 year warranty



5.18m Privacy Screen to suit 18ft awning

Part # TRA-PSC5180

5.18m wide x 1.8m Drop

95% Shade rating / 200 GSM Material

Heavy duty D rings & Eyelets

6mm rope spline that will not kink over time

Silver/Grey in colour

UV Protection + additional privacy

Includes carry bag, guy ropes & zinc plated steel pegs

3 year warranty



5.48m Privacy Screen to suit 19ft awning

Part # TRA-PSC5480

5.48m wide x 1.8m Drop

95% Shade rating / 200 GSM Material

Heavy duty D rings & Eyelets

6mm rope spline that will not kink over time

Silver/Grey in colour

UV Protection + additional privacy

Includes carry bag, guy ropes & zinc plated steel pegs

3 year warranty



5.8m Privacy Screen to suit 20ft awning

Part # TRA-PSC5800

5.8m wide x 1.8m Drop

95% Shade rating / 200 GSM Material

Heavy duty D rings & Eyelets

6mm rope spline that will not kink over time

Silver/Grey in colour

UV Protection + additional privacy

Includes carry bag, guy ropes & zinc plated steel pegs

3 year warranty



6.11m Privacy Screen to suit 21ft awning

Part # TRA-PSC6110

6.11m wide x 1.8m Drop

95% Shade rating / 200 GSM Material

Heavy duty D rings & Eyelets

6mm rope spline that will not kink over time

Silver/Grey in colour

UV Protection + additional privacy

Includes carry bag, guy ropes & zinc plated steel pegs

3 year warranty

AWNING PRIVACY SCREENS

LONG WALLS WITH 4MM SPLINE



2.85m Privacy Screen to suit 9.3ft awning

Part # TRA-PSF2850

Suitable for 3.0m Fiamma & Thule box awnings

2.85m wide x 1.8m Drop

95% Shade rating / 200 GSM Material

Heavy duty D rings & Eyelets

4mm rope spline that will not kink over time

UV Protection + additional privacy

Includes carry bag, guy ropes & zinc plated steel pegs

3 year warranty



3.35m Privacy Screen to suit 11ft awning

Part # TRA-PSF3350

Suitable for 3.5m Fiamma & Thule box awnings

3.35m wide x 1.8m Drop

95% Shade rating / 200 GSM Material

Heavy duty D rings & Eyelets

4mm rope spline that will not kink over time

UV Protection + additional privacy

Includes carry bag, guy ropes & zinc plated steel pegs

3 year warranty



3.85m Privacy Screen to suit 11ft awning

Part # TRA-PSF3850

Suitable for 4.0m Fiamma & Thule box awnings

3.85m wide x 1.8m Drop

95% Shade rating / 200 GSM Material

Heavy duty D rings & Eyelets

4mm rope spline that will not kink over time

UV Protection + additional privacy

Includes carry bag, guy ropes & zinc plated steel pegs

3 year warranty

LONG WALL PRIVACY SCREENS

BLACK

SAME SPECS AS THE GREY



TRA-PSC2800-BLACK - 2.80m Privacy Screen to suit 10ft awning

TRA-PSC3110-BLACK - 3.11m Privacy Screen to suit 11ft awning

TRA-PSC3350-BLACK - 3.35m Privacy Screen to suit 12ft awning

TRA-PSC3660-BLACK - 3.66m Privacy Screen to suit 13ft awning

TRA-PSC3960-BLACK - 3.96m Privacy Screen to suit 14ft awning

TRA-PSC4270-BLACK - 4.27m Privacy Screen to suit 15ft awning

TRA-PSC4570-BLACK - 4.57m Privacy Screen to suit 16ft awning

TRA-PSC4870-BLACK - 4.87m Privacy Screen to suit 17ft awning

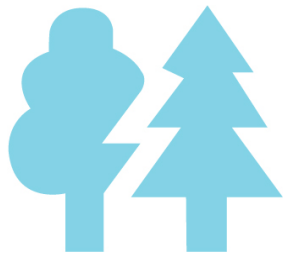
TRA-PSC5180-BLACK - 5.18m Privacy Screen to suit 18ft awning

TRA-PSC5480-BLACK - 5.48m Privacy Screen to suit 19ft awning

TRA-PSC5800-BLACK - 5.80m Privacy Screen to suit 20ft awning

TRA-PSC6110-BLACK - 6.11m Privacy Screen to suit 21ft awning

TRA

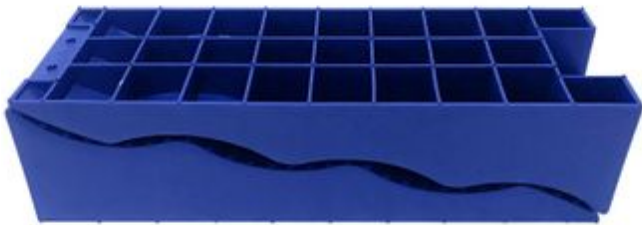


Australia

NEW WEBSITE COMING SOON

WWW.TRAAUSTRALIA.COM.AU

LEVELLING RAMPS SINGLE & DUAL AXLE



SINGLE AXLE 3 STAGE LEVELLING RAMPS

5000kg weight rating per ramp

3 Levelling Heights - 4cm, 7cm & 10cm

Made from UV-resistant polyethylene

Double central support

Ridged Surface for extra grip

Light weight 2kg per ramp

Max load per ramp - 5000kg

Carry bag available to carry 1 or 2 ramps

Ramps Dimensions

600mm (L) x 210mm (W) x 145mm (H) at the rear tip

Suitable for Caravans, Motorhomes, RVs & Camper Trailers



Ramp - Sold as singles

Part # TRA-LRB5820

Bag Only

Part # TRA-LRB5820-BAG



TANDEM DUAL AXLE LEVELLING RAMPS

5000kg weight rating per ramp

Extremely strong

Made from UV-resistant polyethylene

Double central support

Ridged Surface for extra grip

Light weight 1.2kg per ramp

Max load per ramp - 5000kg

Carry bag available to carry 1 or 2 ramps

Ramps Dimensions

400mm (L) x 250mm (W) x 100mm (H) at the rear tip

Suitable for Caravans, Motorhomes, RVs & Camper Trailers



Ramp - Sold as singles

Part # TRA-LRB4025



Bag Only

Part # TRA-LRB4025-BAG



CHOCKMASTER LEVELLING RAMP KIT

2000kg weight rating per ramp

SOLD AS A KIT ONLY, 1 KIT INCLUDES:

1 x Levelling Ramp

1 x Chock

1 x Anti-Skid Plate

1 x Black Storage Bag

Made from UV-resistant polyethylene

Ridged Surface for extra grip

Light weight 1.2kg per ramp

Max load per ramp - 2000kg

Ramps Dimensions

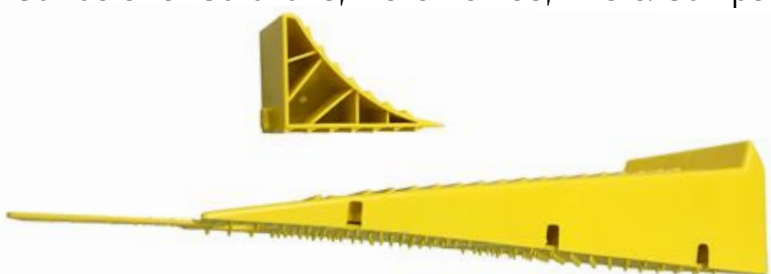
520mm (L) x 200mm (W) x 125mm (H) at the rear tip

Connect multiple ramps together with the integrated locking system

Suitable for Caravans, Motorhomes, RVs & Camper Trailers

Levelling Kit

Part # TRA-CM-LRK



CHOCK WITH HANDLE

Made from UV-Resistant polyethylene

Part # TRA-CHOCK

Chock Dimensions

170mm (L) x 70mm (W) x 100mm (H)

Built in handle



STAINLESS STEEL GRAB HANDLES

POLISHED CHROME KNURLED / BLACK KNURLED



Part Number	POLISHED STAINLESS STEEL
VAN-GHK200-25	KNURLED GRIP / 200mm x 25mm Handle Thickness
VAN-GHK250-32	KNURLED GRIP / 250mm x 32mm Handle Thickness
VAN-GHK300-32	KNURLED GRIP / 300mm x 32mm Handle Thickness
VAN-GHK400-32	KNURLED GRIP / 400mm x 32mm Handle Thickness

Part Number	POWDER COATED BLACK
VAN-GHK250-32PCB	KNURLED GRIP / 250mm x 32mm Handle Thickness
VAN-GHK300-25PCB	KNURLED GRIP / 300mm x 25mm Handle Thickness
VAN-GHK300-32PCB	KNURLED GRIP / 300mm x 32mm Handle Thickness

LED GRAB HANDLE

BLACK WITH SWITCH

ZINC ALLOY - Not Plastic

Part # TRA-GHB-LED-SW

12 Volt

BLUE bubble LED light

Handle Dimensions

Overall - 500mm

LED handle section - 275mm

Built in push button switch



ACCESSORIES & OTHER

CARAVAN & RV



Fridge Shade Screen with Sail Track

Part # TRA-FSS

90cm wide x 1.9m Drop

95% Shade rating / 200 GSM Material

Eyelets & Elastic Loops included

6mm rope spline that will not kink over time

UV Protection + Heat reduction

Includes carry bag, guy ropes & zinc plated steel pegs

90cm mill finish aluminium sail track included



Portable Folding Rotary Clothes Line

Part # TRA-CL001

Collapsible, Rotary aluminium frame

4 arm design for additional hanging line

Wide ground stand for added stability

Total capacity - 25kgs

Weight - 2.7kg

Includes black carry bag and screw in pegs

Size - 150cm x 150cm x 143cm High

Package size - 80cm x 22cm x 16cm



Step corner to suit TRA Aluminium steps

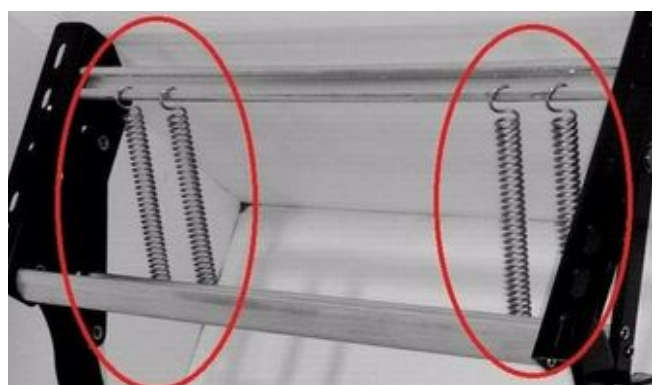
Part # TRA-SM-CORNER

Sold as singles

Step springs to suit TRA Aluminium steps

Part # TRA-SM-SPRING

Sold as a pair



TRA Australia



www.TRAaustralia.com.au